

## **BLOOD RELATION**

Blood relation is a must do part in exam. As it may come for 5 marks and you know every mark is important. In Blood Relation question certain information is given about the members of the family. Based on that information you need to find out the relationship between particular members of the family.

### **Important Points:**

Relations of paternal side:

Father's Father - Grandfather

Father's Mother - Grandmother

Father's Brother - Uncle

Father's Sister - Aunt

Children of Uncle - cousin

Wife of Uncle - Aunt

Children of Aunt - Cousin

Husband of Aunt - Uncle

### **Relations Of Maternal Side:**

Mother's Father - Maternal Grandfather

Mother's Mother - Maternal Grandmother


Mother's Brother - Maternal Uncle


Mother's Sister - Aunt

Children of Maternal Uncle - Cousin

Wife of Maternal uncle - Maternal Aunt

### **Pictorials which are used to define the relationship among them:**

 These two pictorials from are used for males.

 These two pictorials from are used for females

### **TYPES:**

**1) Based On Dialogue Or Conversation:** This type of question the one person talking to or doing chit-chat with other person giving information through pointing to some picture or person.

For e.g: Madhu said, pointing to Shreya, " His mother is my mother's only daughter". How Madhu is related to Shreya?

a) Father b) Son c) Grandson d) Mother e) None of these

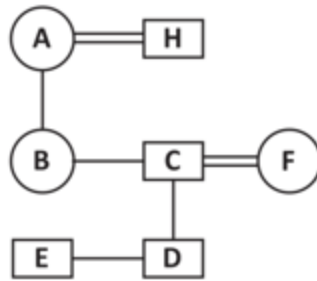
Sol: d) mother

**2) Based On Puzzles:** In this type of question, you have to conclude the relation between two given person based on more than one information given in the question.

Example:

Direction: A is the mother of B. B is the sister of C. D is the son of C. E is the brother of D. F is the mother of E. H has only two children B and C. How F is related to E?

**Solutions:**



So, F is mother of E.

**3) Based On Symbols:** In this type of question, you have to conclude the relations between two given person based on more than one information given in the question.

Based on Symbols:

, #, %, #, < @I etc. this type of question, information are coded in the form of symbols.

**Important Questions For Practice:**

**Directions Q (1-5):** Study the following instructions and answer Questions given below:

X \$ Y means X is mother of Y

X # Y means X is father of Y

X @ Y means X is husband of Y

X % Y means X is daughter of Y

**Q1:** A@B\$M#C indicate what relationship of A with C?

- (A) Paternal grandmother
- (B) Maternal grandmother
- (C) Paternal grandfather
- (D) Maternal grandfather
- (E) None of these

**Q2:** If N \$ L @ I, how is I related to N?

- (A) Mother in law
- (B) Daughter in law
- (C) Aunt
- (D) Daughter
- (E) None of these

**Q3:** Which of the following indicates F is the brother of J?

- (A) F#R\$D\$J
- (B) J%L@D\$F#R
- (C) J%L@D\$F
- (D) J%L@D%F
- (E) None of these

**Q4:** If U@V%K#T then how is U related to T?

- (A) Sister in law
- (B) Sister
- (C) Brother in law
- (D) Cannot be determined
- (E) None of these

**Q5:** Which of following expressions indicates Q is the sister of P?

- (A) P\$F@D#Q
- (B) P%F@D\$Q
- (C) Q\$F@D\$P
- (D) Q%F@D\$P
- (E) None of these

**Directions (Q6-8): Study the following information carefully and answer the questions given below:**  
 P is the daughter of Q. R has only two children – P and S. T is the brother of U. S is married to V. R has only two daughters. W is the mother of Q. T is married to P. W is married to X. R is the son of Y.

- Q6:** Who among the following is the father of Q?  
 (A) W (B) Y (C) R  
 (D) X (E) None of these

- Q7:** Who among the following is the sister-in-law of U?  
 (A) S (B) P (C) Q  
 (D) W (E) Y

- Q8:** How is R related to T?  
 (A) Father-in-law (B) Mother-in-law (C) Father  
 (D) Mother (E) Brother

**Directions (Q9-10): Study the following information carefully and answer the questions given below:**

P is the brother of Q. Q is the mother of R. R is the sister of S. S is married to T. U is the father of Q. U has only one daughter. U is married to V.

- Q9:** How is W related to R?  
 (A) Cannot be determined (B) Mother  
 (C) Uncle (D) Father  
 (E) Aunt

- Q10:** How R is related to U?  
 (A) Grandson (B) Granddaughter  
 (C) Grandfather (D) Sister  
 (E) Brother

**SOLUTION:**

Q1: (C) Since A is father of M and M is father of C. So A is grandfather of C.

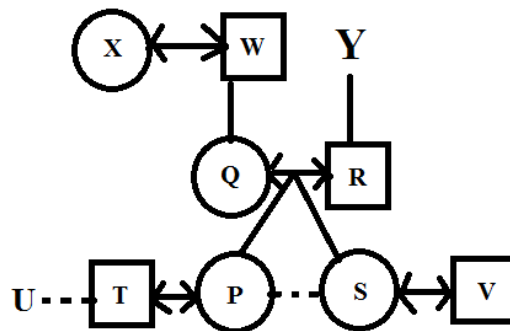
Q2: (B) L is son of N and L is husband of I. So I is daughter-in-law of N.

Q3: (B) Since F is son of L and J is daughter of L. So F is brother of J.

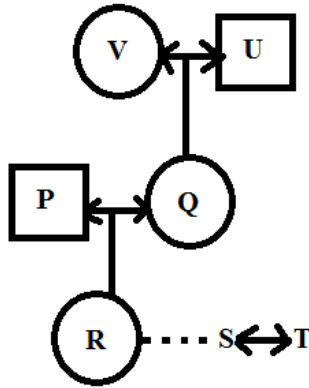
Q4: (C) Since U is husband of V and V is sister of T. So U is brother-in-law

Q5: (D) Since Q is daughter of F and F is father of P. So Q is sister of P.

Q (6-8):



- Q6: (D)
- Q7: (B)
- Q8. (A)
- Q (9-10):



Q9: (C)

Q 10: (B)



India's trusted Educational Blog

Subscribe to our  
**YouTube Channel**



Video lectures for all subjects

Current Affairs bulletin

Exam Notification & Analysis

Pre Exam Training

G.K Sessions

Debates & discussions

Success Stories

Live Interview Sessions

Group discussions

IBT

Topic: Mathematics

**UNIT DIGITS**

AMIT PANDEY

How to find unit digit (very useful trick) Number System : By Amit...

IBT

Topic: Mathematics

To Convert In P by Q form

**AMIT PANDEY**

How to convert decimal expansion in rational form P/Q BY Amit .....

IBT

Topic: Vice President of India

**VIPAN GOYAL**

Vice President of India (Qualification, Election & Powers) by Vipin...

IBT

Topic: Parts of Speech

**PLURAL**

By SAJID AMAN KHAN

Parts of Speech : PLURAL By Sajid Aman Khan (General English).....

make MY exam

**REMAINDER THEOREM - I**

AMIT PANDEY

Number System REMAINDER THEOREM(Part-1) By Amit Pandey ....

IBT

Topic: Parts of Speech

**NOUN**

By SAJID AMAN KHAN

Parts of Speech : NOUN By Sajid Aman Khan (General English).....

10 - 16 April 2017

**CURRENT AFFAIRS BULLETIN**

Neha Singh

Current Affairs Bulletin of the week 10 April To 16 April 2017

IBT

Topic: Vice President of India Part-1

**VIPAN GOYAL**

President of India (Qualification & Election) By Vipan Goyal

Are you ready for SBI PO EXAM ?

**SBI PO - PRE EXAM TRAINING**

Online 8 days

DAY-2 (2 HOURS)

**REASONING ABILITY**

FRANCIS BRITTA

SBI PO online PET : Day 2 Reasoning Ability

**SBI PO - PRE EXAM TRAINING**

Online 8 days

DAY-3 (2 HOURS)

**QUANTITATIVE APTITUDE**

AMIT PANDEY

SBI PO Online PET: Day 3 Maths - Percentage, Profit & Loss & Alli...

**SBI PO - PRE EXAM TRAINING**

Online 8 Days

DAY - 7

**GENERAL ENGLISH**

Reading Comprehension  
Sentence Rearrangement  
Cloze Test

SBI PO online PET : Day 7 GENERAL ENGLISH - CLOZE TEST , S. REAR...